

# DL2606 counterbalanced PRO120



Client: Beverage manufacturers  
Project supervisor: Mark Roberts, TAWI UK, England  
Project engineer: David Lorensson

Used with: PRO120/PRO70  
Max capacity: Appr 50 kg. (this project)  
Depends on number of counterweights installed on lift.  
Tool article nr: Project nr DL2606

Counterweight lifts are the only solution when the lift legs cannot fit underneath the place of pick-up/drop-off.  
The leg function is compensated with counterweights which are placed behind the battery box. The tool in this particular case is a coregripper for rollhandling.

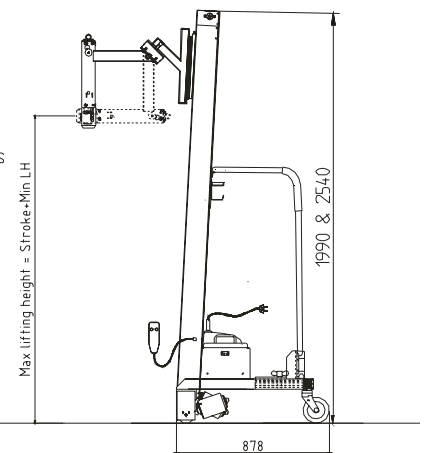
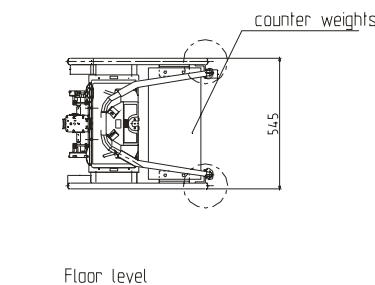


Built-in front wheels to avoid damage.



Counterweight lifts are delivered on request and according to client specifications.  
The MicroLift above is also equipped as a counterbalanced lift, with very short legs and weights on the rear structure. (Project nr LH2542)

Max roll weight 51 kg  
Coregripper for  $\varnothing 76$



DL02606 PRO120  
with counter weights

**TAWI**

Box 10205 434 23 KUNGSBACKA Sweden  
Tel +46 300 185 00  
info@tawi.se

[www.TAWI.com](http://www.TAWI.com)