

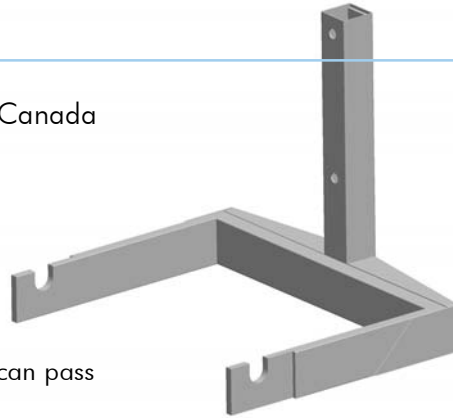
# DL02989 Protema PRO200L fork for reels

Project supervisor: Hans Lofgreen, Jenalex, Canada  
Project nr: DL02989  
Industry: Food industry  
Project engineer: David Lorensen  
Lifting: Reels  
Used with: PRO200L stainless steel  
Max capacity: 165 kg

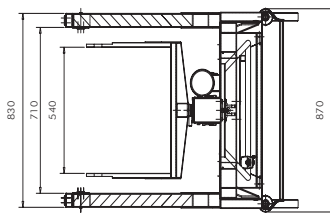
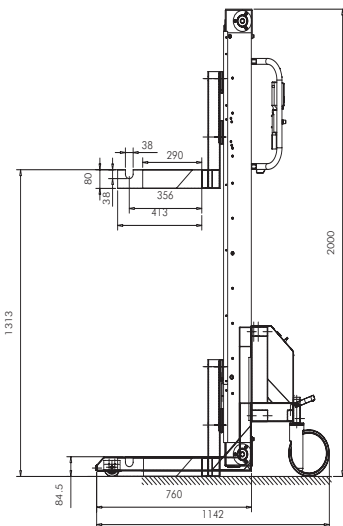
A stainless steel model PRO200L (L for Lowbuilt, legs can pass underneath pallet).

The attachment is a special fork tool in which a reel including shaft is cradled. It is then lowered into place in the packaging machinery.

Don't miss the video available for this project, it is really good!



Checkout the video of this project!  
Go to [www.tawi.com](http://www.tawi.com) "NEWS".



**TAWI**  
Protema

Box 10205, 434 23 KUNGSBACKA Sweden  
Tel +46 300 185 00  
info@tawi.se

[www.TAWI.com](http://www.TAWI.com)