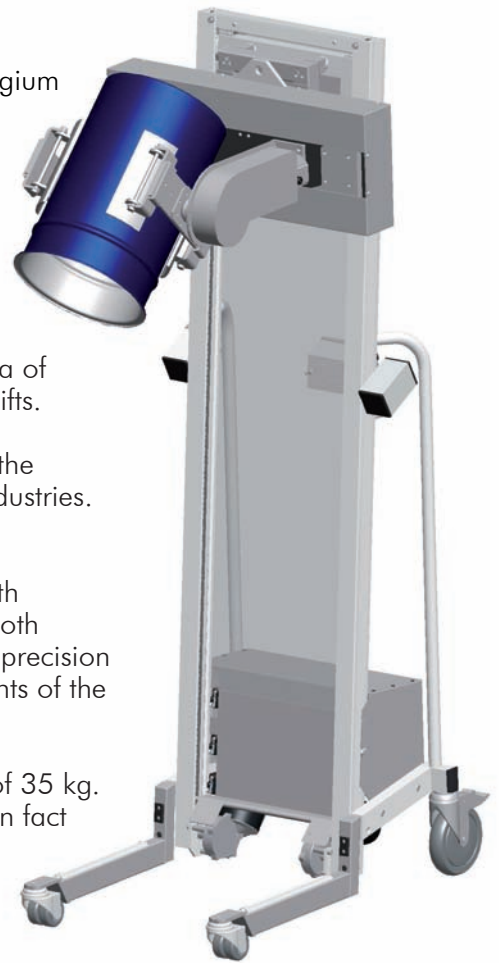


Protema DL03685 EasySqueeze electric tilt



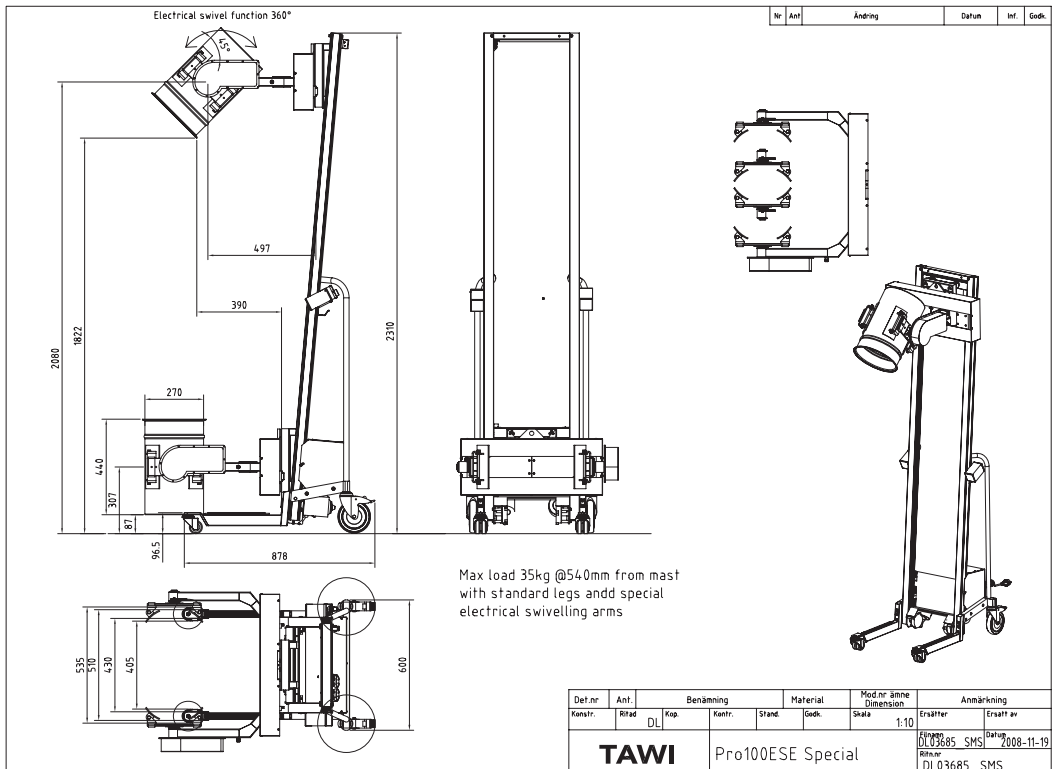
Project supervisor:
Paul van de Voorde ATS, Belgium
Project number: DL03685
Project engineer:
David Lorensen
Lifting: Drums
Used with: PRO100ESE
Max capacity, this version:
35 kg



Drumhandling is a large area of application for the Protema lifts. Drums are common in the manufacturing processes of the pharmaceutical and food industries.

This EasySqueeze unit (on PRO100ESE) is equipped with unlimited tilting function in both directions. The result is high precision positioning before the contents of the drum is emptied.

This project handles drums of 35 kg. The project max capacity is in fact 100 kg WITH a completely centered drum.



The project is available on video!
Go to the Download-area at www.tawi.com



Box 10205 434 23 KUNGSBACKA Sweden
Tel +46 300 185 00
info@tawi.se
www.TAWI.com